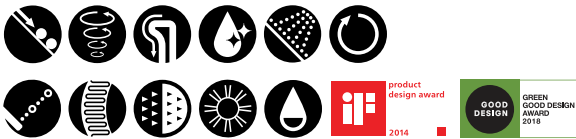


NEOREST XH I

CES992RVA



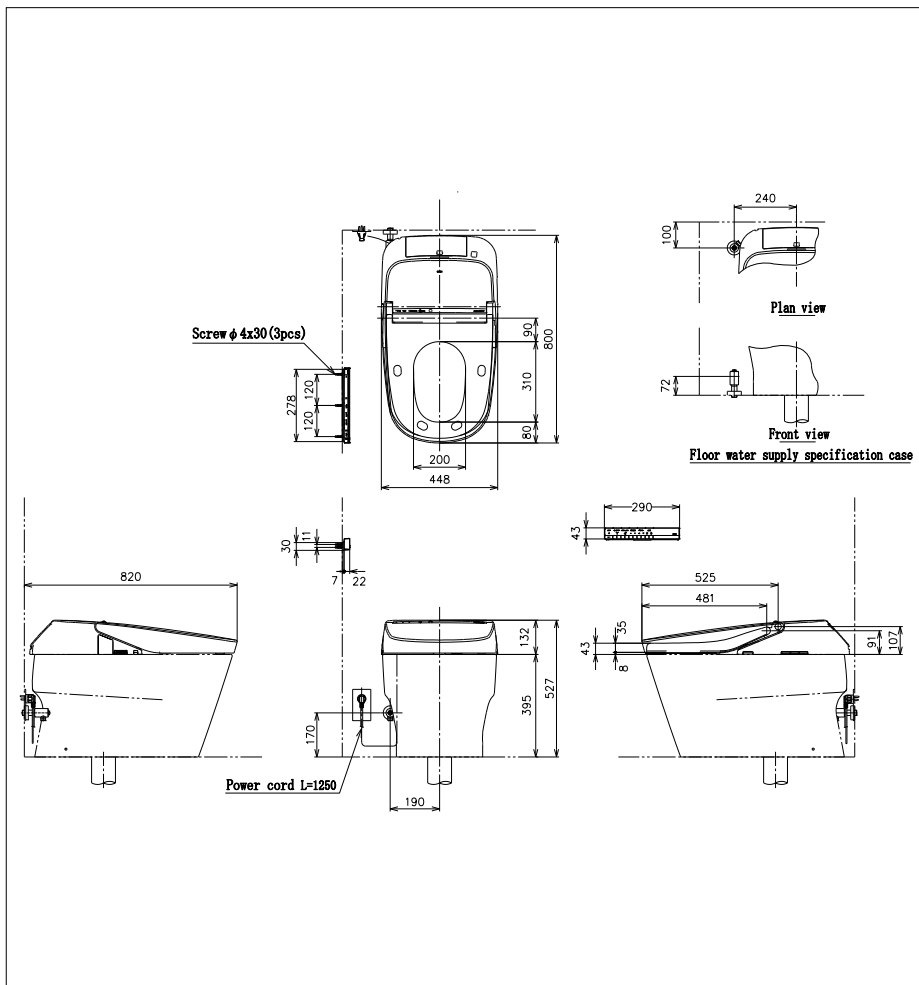
Features

- Integrated appearance of luxury, stylish, elegant
- Hybrid Ecology System
 - WATER SAVING dual flush 3.8/3L
 - minimum required water pressure only at 0.05Mpa (Dynamic)
- TORNADO Flushing for powerful flushing effect with less amount of water
- Integral WASHLET™ features front and rear warm water washing
- EWATER+ spreads out and keeps clean toilet bowl and nozzle by preventing bacteria with sanitizing effect
- AUTO FUNCTIONS: Lid opens, closes and toilet flushes when sensor is activated
- Auto soft light function usable for night time usage

EWATER+ is made from tap water by electrolyzed chloride ion without any chemicals. After use, it returns to normal water in the state of safe and environmental friendly.

Specifications

- Flush System : Siphon-Jet
TORNADO Flush
- Water Use : 3.8L / 3L
- Rough-in : 305 mm
- Bowl Shape : Elongated
- Water Pressure : 0.05Mpa~0.75Mpa
- Power Rating : 220~240V , 50/60Hz ,
841~851W
- Length of Power Cord : 1.2 m
- Size : 448W x 800D x 527H mm



Colors

White (CEFIONTECT)

Please consult a TOTO representative for details