

GE Series
Bath Spout



Features

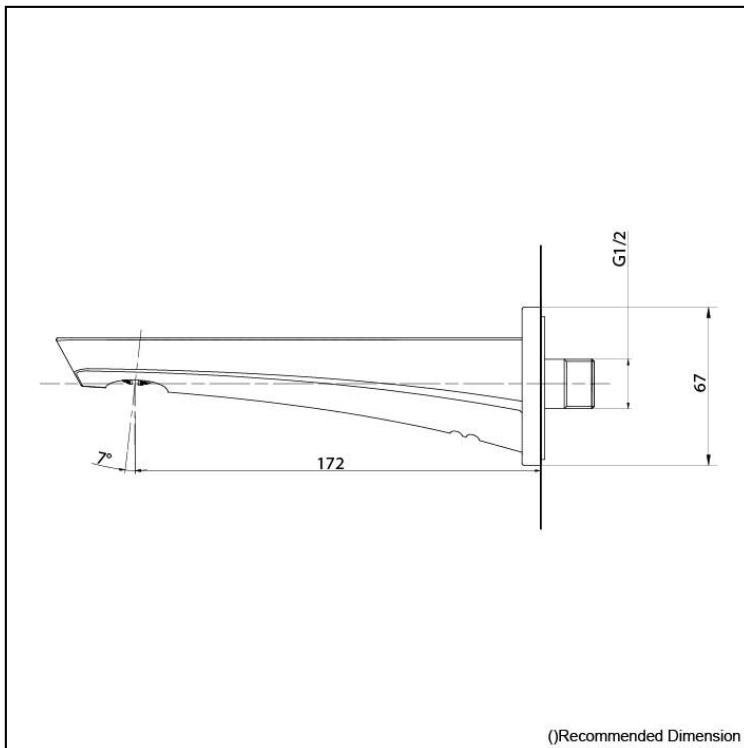
- A beauty of traditional craft in characteristic sculptural form
- V-shaped edge extends up to the end of the spout generate multi sided reflections
- High corrosion resistance plating
- Easy Installation and Usage

Specifications

Finish: Chrome
Material: Brass
Water Pressure: 0.05MPa~1.0MPa

Parts description

- TBG07001T
Bath Spout



Polished Chrome



Polished Nickel #PN



Brushed Nickel #BN



Polished French Gold #PFG



Brushed French Gold #BFG



Polished Bronze #PBR



Brushed Bronze #BBR

Please consult a TOTO representative for details