



Features

- Compact design with privacy shields
- Easy and flexible installation

Specifications

Size : 449X355X650 mm

Water Pressure : 0.07~0.75MPa

Parts description

Fitting is not included

● UW445

Wall Hung Urinal

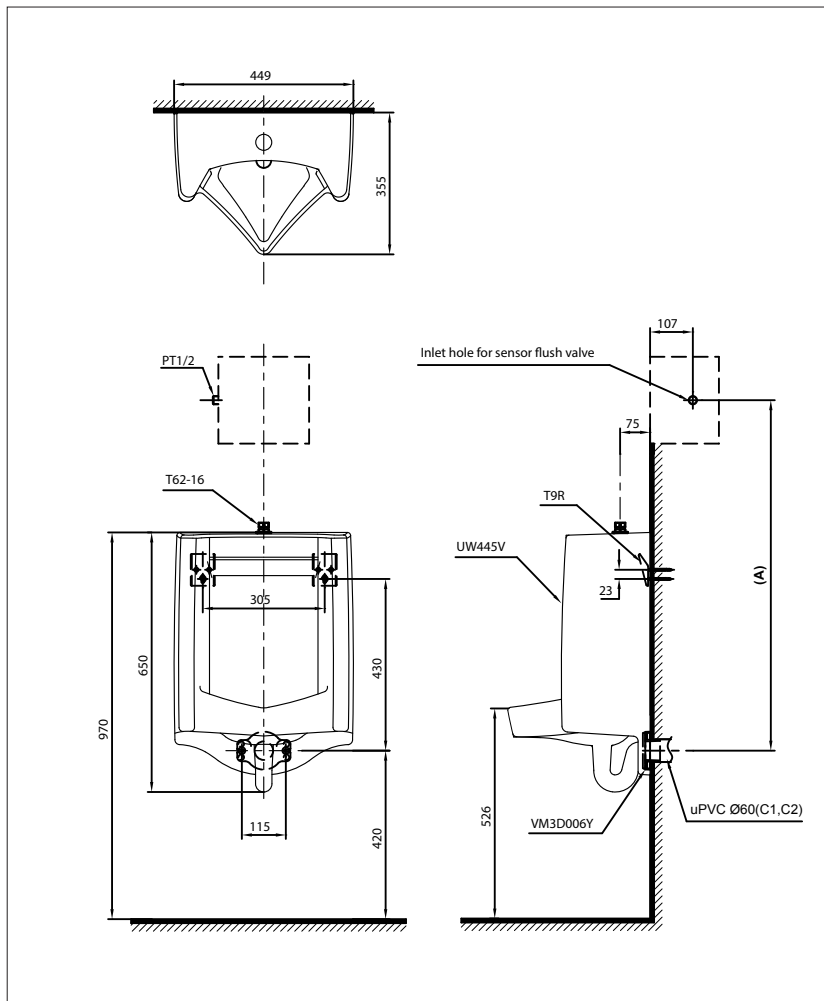
Top Inlet Type

○ optional parts

○ T9R

Hanger

*Flush valve is not included



Colors

White

Please consult a TOTO representative for details