

Hand Rail

T114CU2V1NW



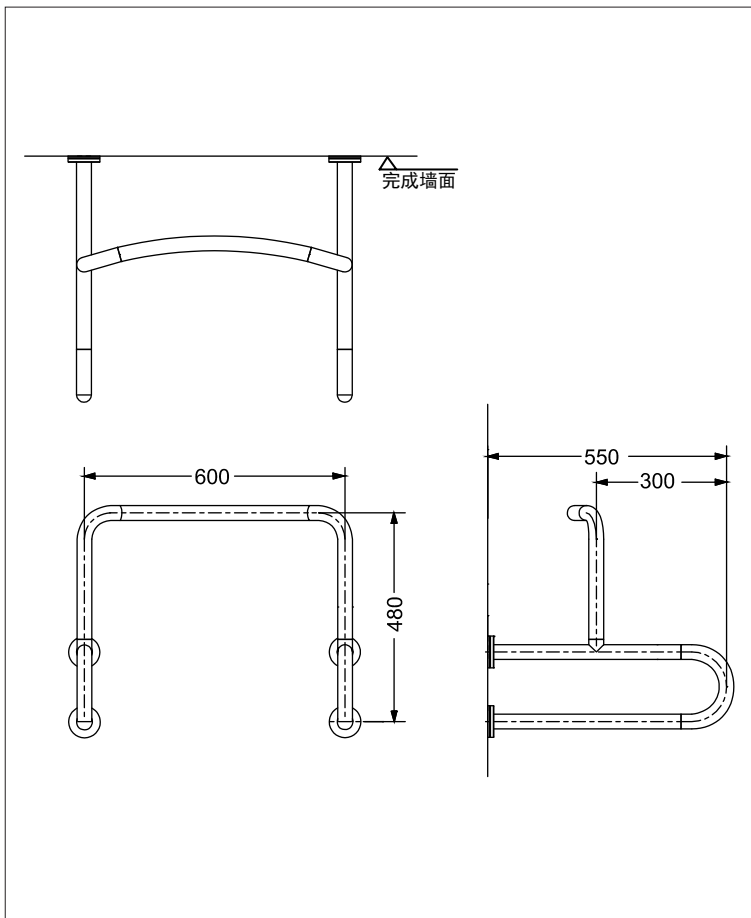
Features

- Multi-use handrails can be easily used by physical challenged people in public.
- Exquisite appearance.
- Durable anti-fouling white resin pipe.

Specifications

Size : 600W x 550D x 480H mm

Material : Stainless Steel + resin



Parts Description

- **T114CU2V1NW**
Urinal Handrail

Colors

White

Please consult a TOTO representative for details