

# TOTO

# URINALS

Wall Hung Urinal  
with Built-in Sensor

## USWN925AE



## Features

- Compact design with privacy shields
- CEFIONTECT technology: super smooth, ion barrier glazing for a clean urinal
- WATER SAVING effect with powerful flushing action
- Integral trap

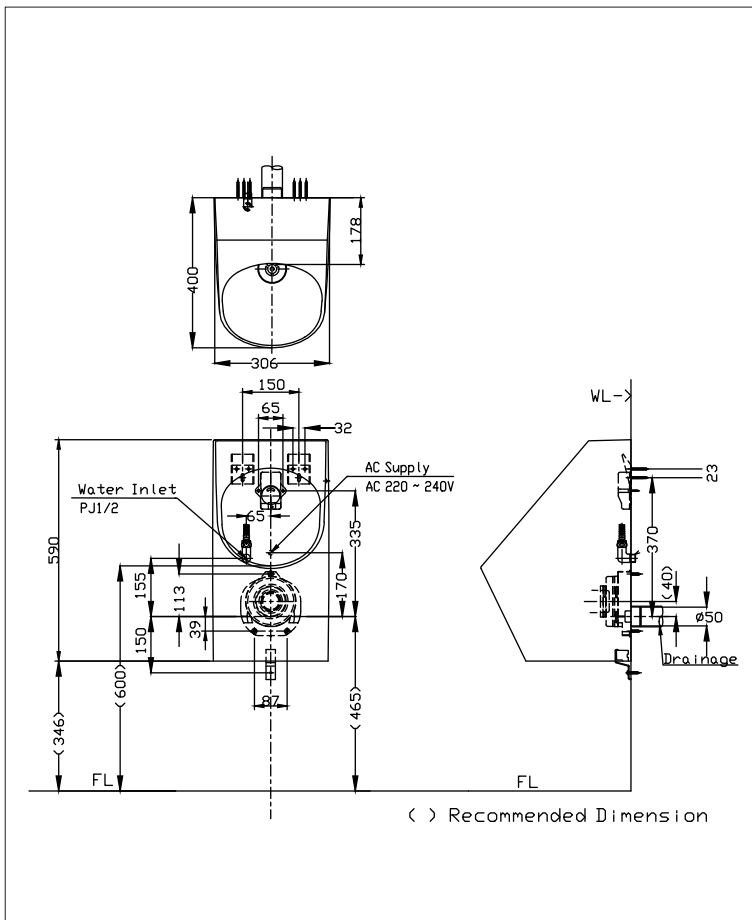
## Specifications

Water Use : 0.8 L  
Size : 380X400X590 mm  
Water Pressure : 0.07MPa~0.75MPa

## Parts description

Flush Valve and  
Fittings not included

- **USWN925AE**  
Wall Hung Urinal Back Inlet Type  
with Built-in Sensor  
AC 220V Operated



## Colors

White

Please consult a TOTO representative for  
details