

TOTO

PUBLIC

OTHERS FAUCET

TX109LP



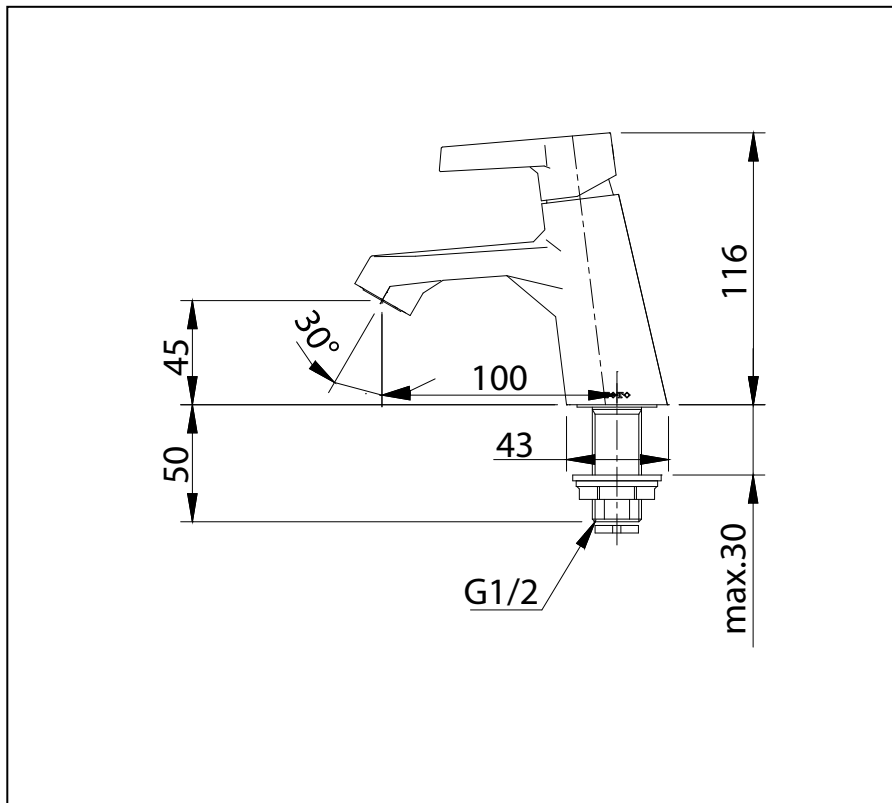
Features

- Durable finishes
- Brass valve bodies

Specifications

Water Pressure	: 0.05MPa - 0.75MPa
Material	: Brass
Finish	: Nickel Chrome

Drawing:



Parts description

TX109LP

Single Lever Lavatory Faucet without Pop-Up Waste (Cold Water)

Please consult a TOTO representative for details