

Sensor Flush Valves

TTUE601DC3



Features

- Automatic flushing : hands-free and hygiene
- The sensor is encased in heavy-duty glass, to protect from vandalism
- WATER SAVING

Specifications

Water Pressure : 0.05MPa - 0.75 MPa

Water Volume : 1.1 - 1.9 L/Time

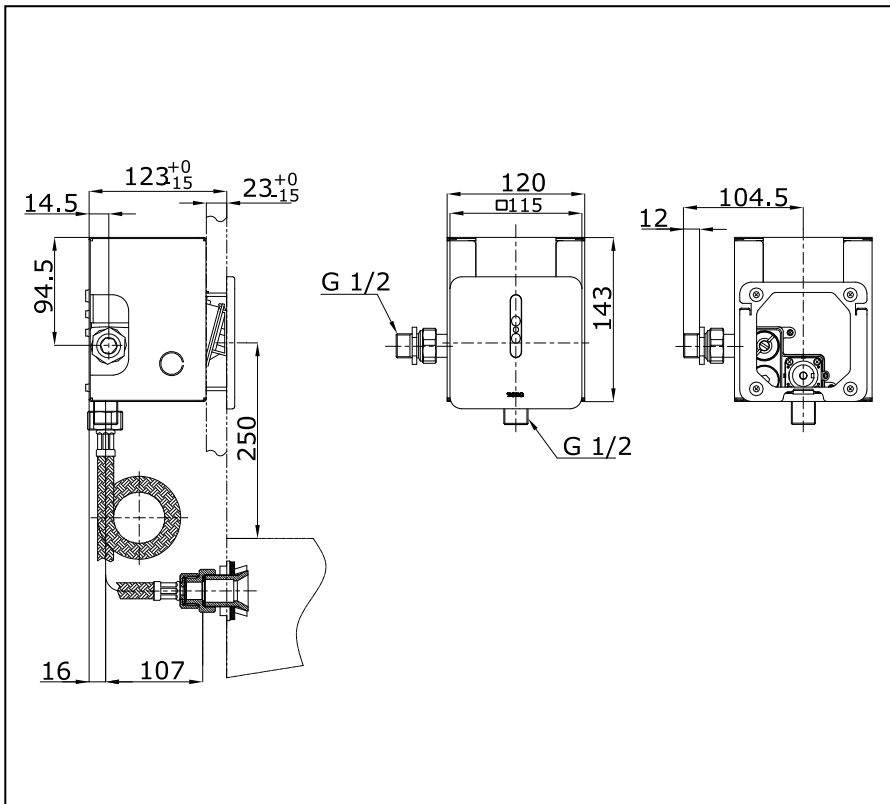
@ 0.1 - 0.75 MPa

Parts description

TTUE601DC3

Concealed Urinal Sensor Flush Valve (Battery) for Back Inlet with Inlet Spud

Please consult a TOTO representative for details



TOTO (THAILAND) CO.,LTD

Bangkok Office : G Tower Grand Rama 9,12th Floor, South Wing, 9 Rama IX Road, Huaykwang Sub-district, Huaykwang District, Bangkok. 10310 Thailand
Tel : +(66)2-117-9520(AUTO) Fax : +(66)2-117-9527
th.toto.com