

Rei-S Series
Single Lever Lavatory Faucet
with Pop-Up Waste



Features

- Sharp-lined smart design exclusively for REI- Square series
- Durable finishes

Specifications

Water Pressure	: 0.05MPa - 0.75MPa
Hole	: 1 Hole
Finish	: Nickel Chrome
Material	: Brass

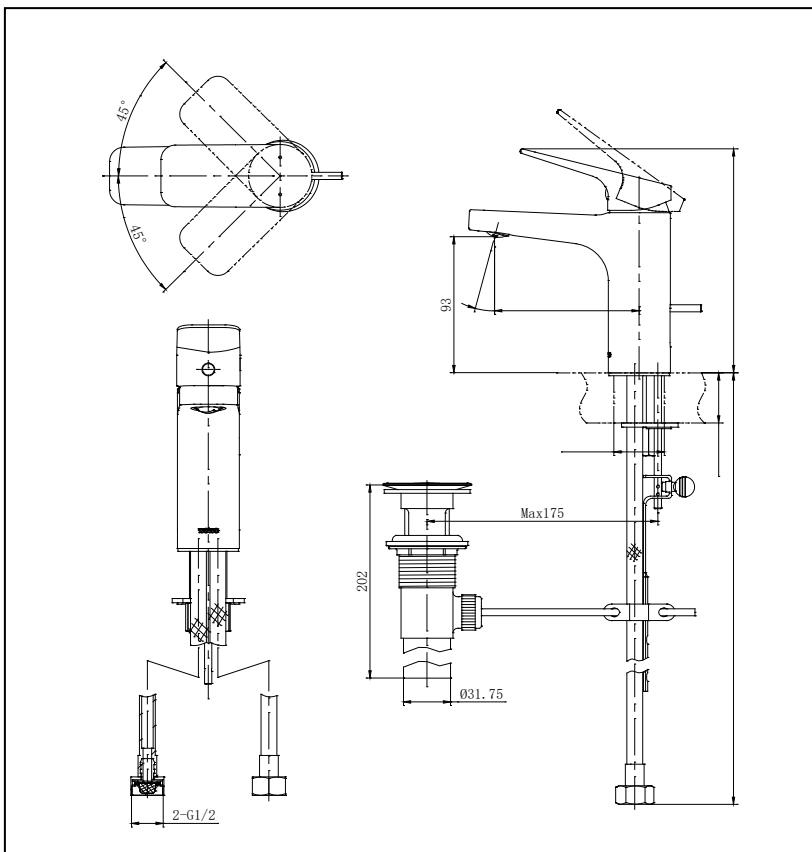
Parts description

- TTLR302FK-1

Single Lever Lavatory Faucet
with Pop-Up Waste

Remarks:

Please result TOTO sales representative
for detail.



TOTO (THAILAND) CO.,LTD

Bangkok Office : G Tower Grand Rama 9,12th Floor, South Wing, 9 Rama IX Road,Huaykwang Sub-district,Huaykwang District, Bangkok. 10310 Thailand
Tel : +(66)2-117-9520(AUTO) Fax : +(66)2-117-9527
th.toto.com