

Rei-R Series  
Single Lever Lavatory Faucet  
with Pop-Up Waste



### Features

- Sharp-lined smart design exclusively for REI- Round series
- Durable finishes

### Specifications

Water Pressure	: 0.05MPa - 0.75MPa
Hole	: 1 Hole
Finish	: Nickel Chrome
Material	: Brass

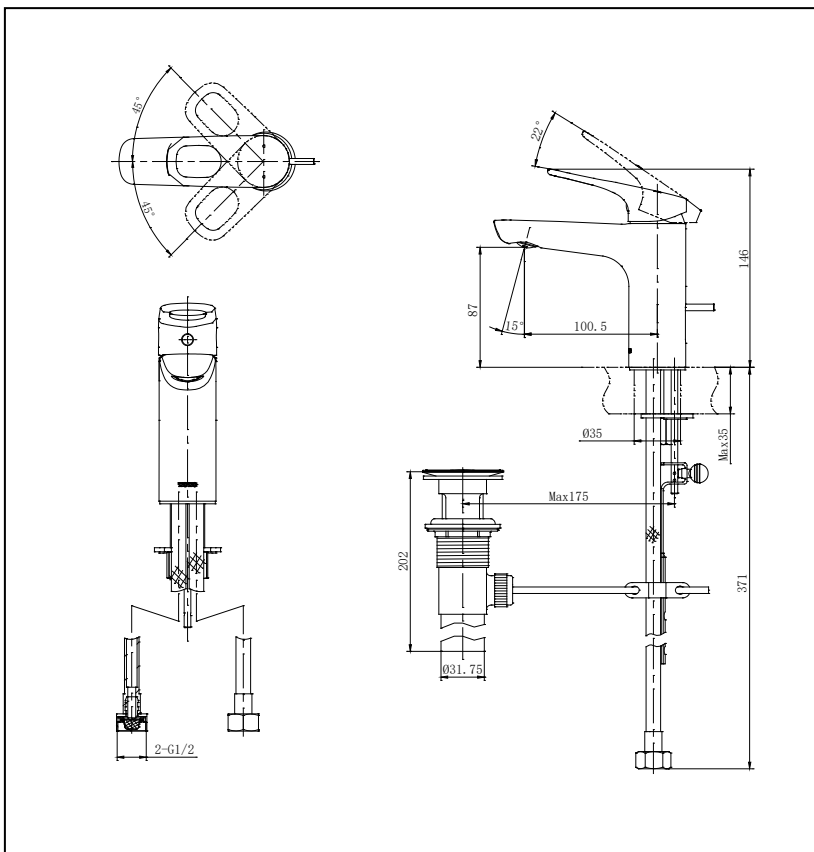
### Parts description

- TTLR301FK-1

Single Lever Lavatory Faucet  
with Pop-Up Waste

#### Remarks:

Please result TOTO sales representative  
for detail.



TOTO (THAILAND) CO.,LTD

Bangkok Office : G Tower Grand Rama 9,12th Floor, South Wing, 9 Rama IX Road,Huaykwang Sub-district,Huaykwang District, Bangkok. 10310 Thailand  
Tel : +(66)2-117-9520(AUTO) Fax : +(66)2-117-9527  
th.toto.com