

Item number: **TTLR104FK**    **REI-S Series**



## Features

- Sharp-lined smart design exclusively for REI- Square series
- Durable finishes

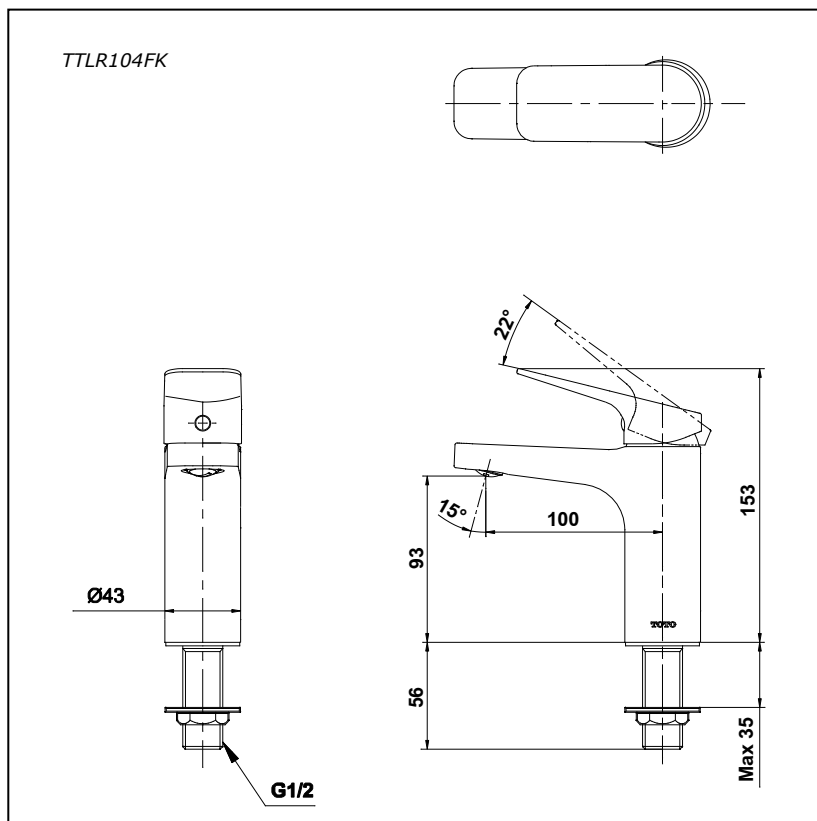
## Specifications

Water Pressure : 0.05MPa -0.75MPa  
 Hole : 1 Hole  
 Finish : Nickel Chrome  
 Material : Brass  
 Flow Rate/ Water usage : <6L/min @0.1MPa.

## Parts description

- **TTLR104FK**  
 Single Lever Lavatory Faucet  
 without Pop-Up Waste (Cold Water)

## Drawing:



### Remarks:

Please result TOTO sales representative for detail.