

Item number: **TTLC301FVK-1**      **CRES Series**



## Features

- Sharp-lined smart design exclusively for CRES series
- Durable finishes
- Smooth operation with lever type

## Specifications

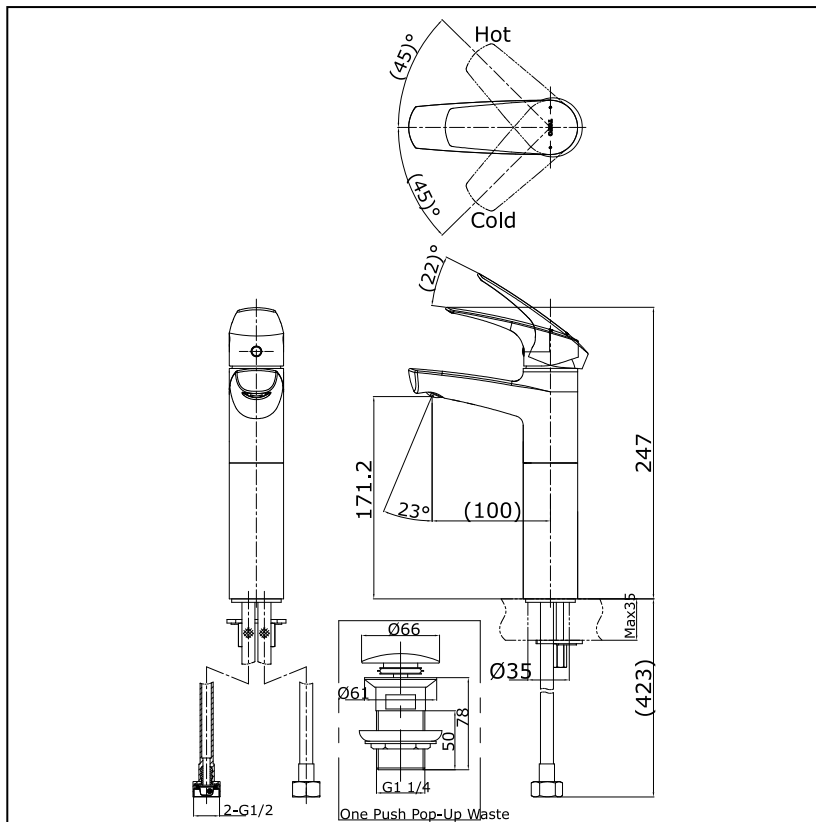
Water Pressure : 0.05MPa - 0.75MPa  
 Hole : 1 Hole  
 Finish : Nickel Chrome  
 Material : Brass  
 Flow Rate : <6L/min @0.1MPa.  
 Water usage

## Parts description

### TTLC301FVK-1

Extended Single Lever Lavatory Faucet without Pop-Up Waste

## Drawing



*Please consult a TOTO representative for details*