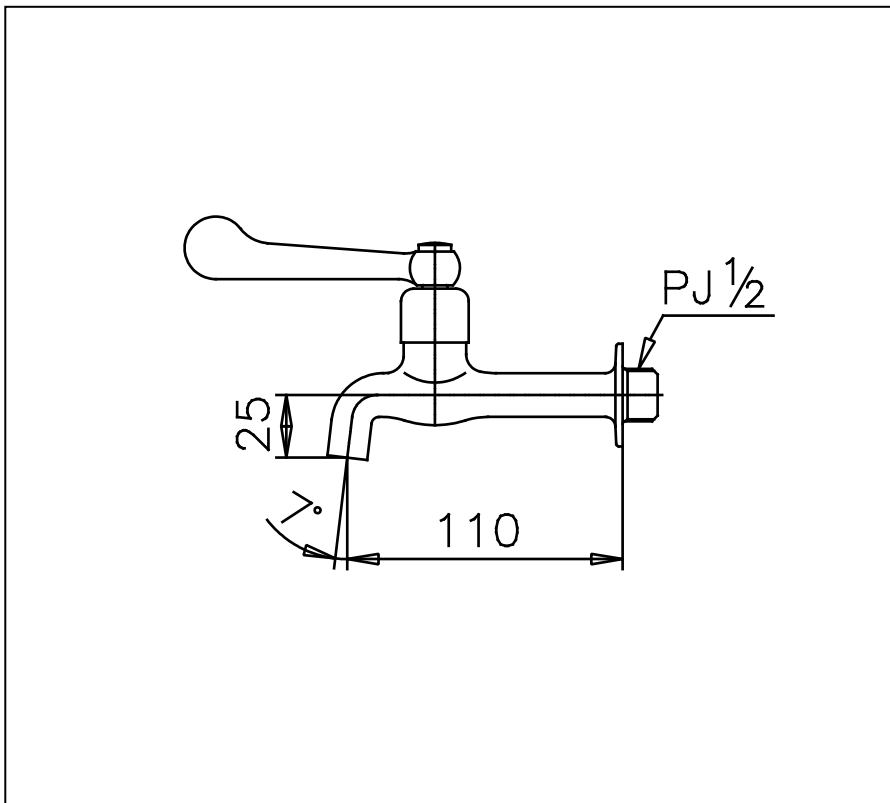


**Features**

- Durable finishes
- Brass valve bodies

Specifications

Water Pressure	: 0.05MPa - 0.75MPa
Material	: Brass
Finish	: Nickel Chrome

Drawing:**Parts description**

- **TS112B14(HM)**
Lever Handle Sink Tap

Please consult a TOTO representative for details