

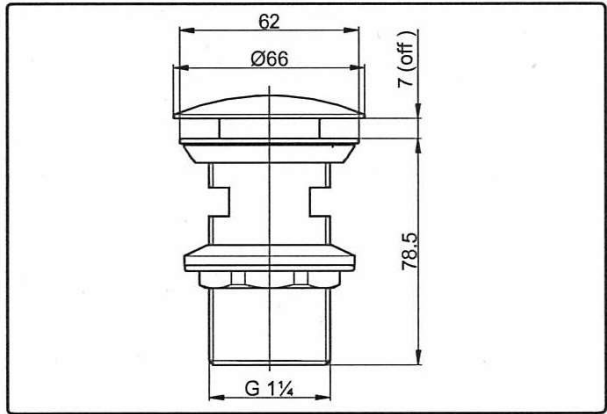
R1

147.5 mm.

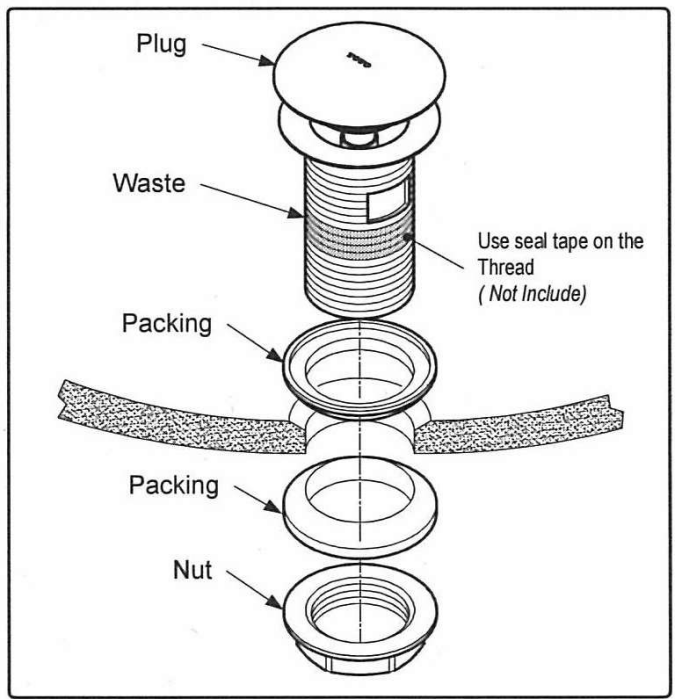
TOTO

ONE PUSH POP-UP WASTE W/ OVERFLOW HOLE T6JV6

SPECIFICATIONS



INSTALLATION



MAINTENANCE

Always wipe gold plated area with dry soft cloth, and sometimes wipe it with cloth soaked in mild soap.

ATTENTION

Use of abrasive cleaning material such as; detergents containing hydrochloric acids, thinner, polishing powder, and nylon brush is not recommended.

S060085-6

105.5 mm.