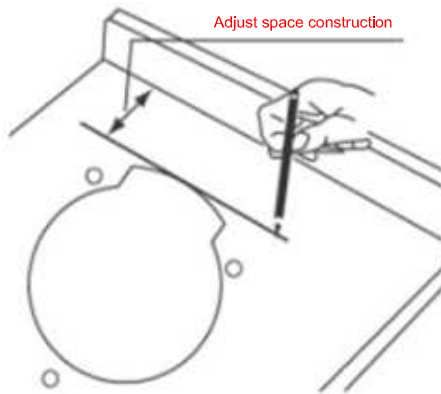
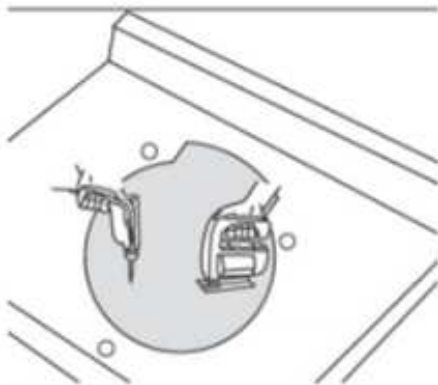


# Installation Instruction for wash basin

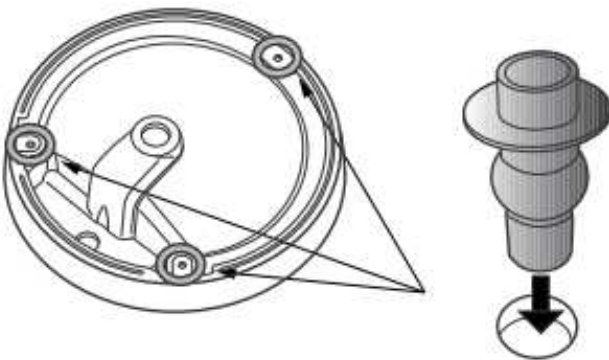
## For wash basin type L700CD



1. Cut a model from adjacent drawing (inclusive 3 holes  $\Phi 26$ ) Put the model on counter surface and use a pencil to draw a round which is exact to the model.

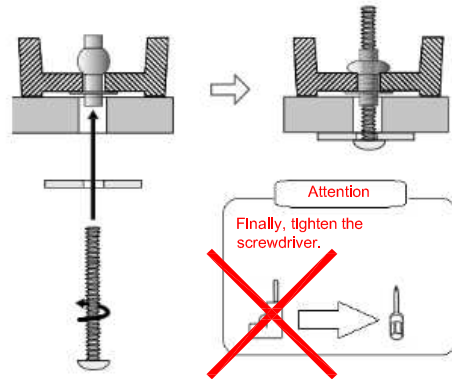


2. Cut a hole on the counter after the drawn round. Counter should be cut apart from installation place.



3. Put the rubber washer into 3 basin bottom holes. Put the basin on the cutting hole.

4. Adjust the basin by hand so that it is placed proportionately on the counter. Gently press the basin on the counter, so that 3 BASIN bottom holes sticks together with 3 cutting holes on the counter.



5. Use a screwdriver to fix tightly the mounting kit below the counter. note to tighten by hands, ensure that the basin to fix stably. not allowed overtighten mounting kit, it may result in any breaking for the BASIN.
6. Assemble the fittings according to manufacturer's instruction.
7. After the installation is finished, use a soft cloth to clean the basin and counter.
8. For taking down the basin:
  - Disassemble fittings.
  - Use a screwdriver to disassembling 3 mounting kits below the counter\*\* Mounting kit (HR700) is sold separately.

### Directions:

1. Check the glue/silicon layer between basin and counter. If the silicon layer is missing at any position, add silicon to missing position. Use wet cloth or sponge to clean out redundant silicon.
2. In order to take down the basin :
  - \* Disassemble fittings
  - \* Loosen screws of support bars
  - \* Use a heating knife to cut the silicon layer between basin and counter.