

Wall Hung Toilet

CWT941K



Features

- Simple and smooth appearance.
- Wall hung design, easy to clean

Specifications

Water Consumption	: 6/3 L
Rough-in	: H=220 mm (P-Trap)
Bowl Shape	: Elongated
Water Pressure	: 0.05MPa~0.75MPa
Size	: 360W x 522D x 349H mm

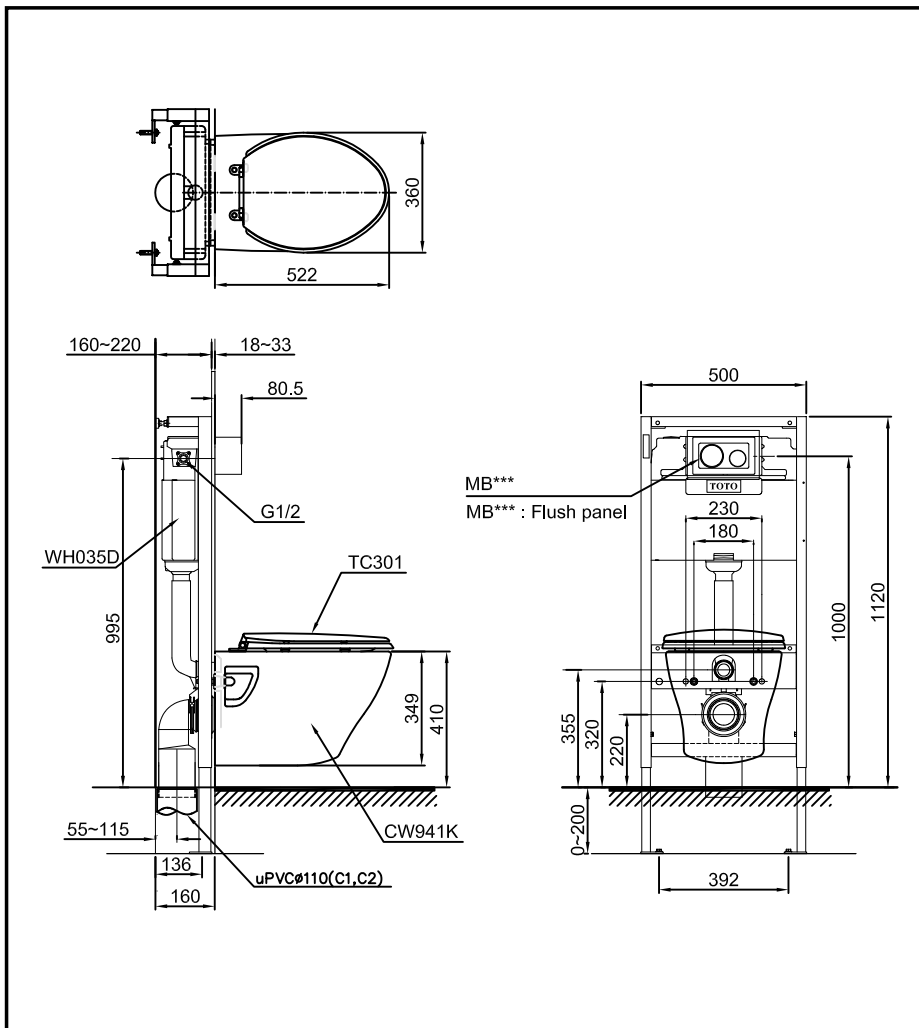
Parts description

- **CWT941K**
Elongated Wall Hung Closet Bowl
(P-Trap) (Rough-in 220)

Optional Parts

- Concealed Cistern w/Frame
- MB***
Flush Panel

*without Concealed Tank
WH171A & Push Plate



Please consult a TOTO representative for details