

Wall Hung Toilet

CWT192K



Features

- Stylish design for Willow Suite
- Wall hung type, easy cleaning
- Dual flush system
- WATER SAVING

Specifications

Water Use	: 4.5 / 3 L
Rough-in	: H=220 mm (P-Trap)
Bowl Shape	: Elongated
Water Pressure	: 0.05MPa~0.75MPa
Size	: 380W x 560D x 359H mm



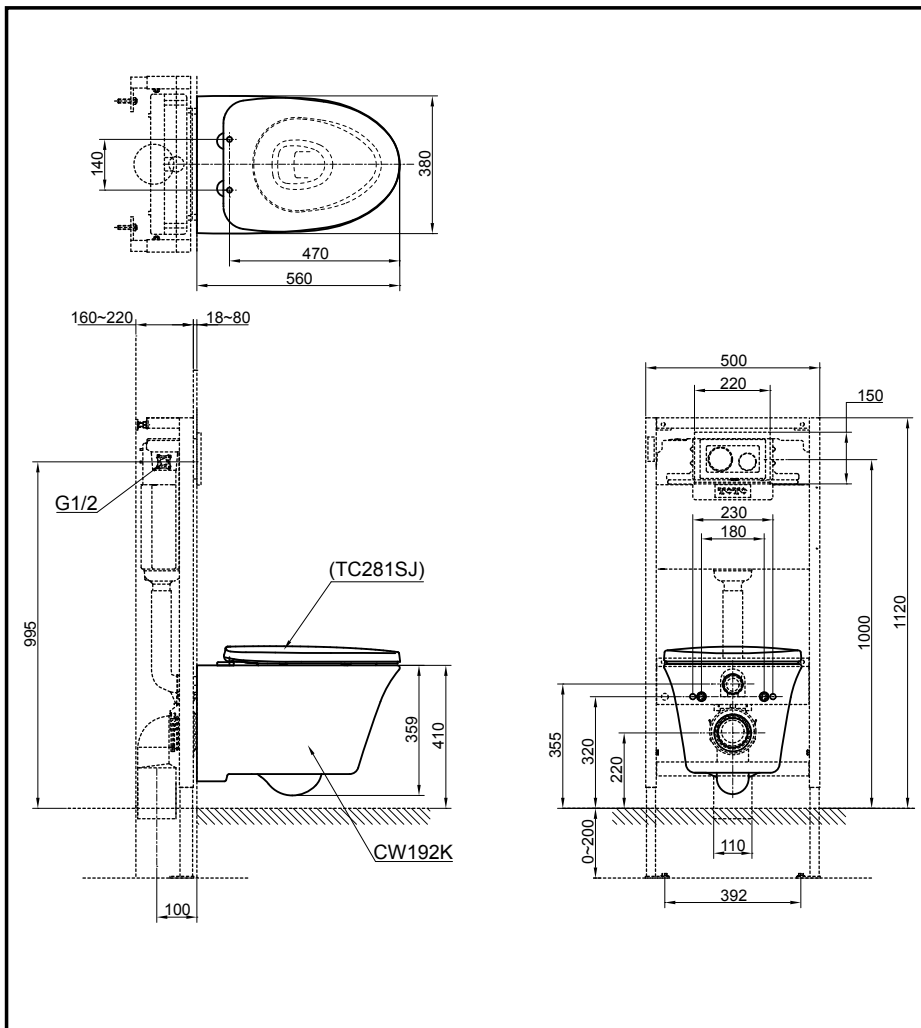
Parts description

- **CWT192K**
Elongated Wall Hung Closet Bowl (P-Trap) (Rough-in 220)
- **TC281SJ**
Soft close Seat & Cover

Optional Parts

- Concealed Cistern w/Frame
- Push Plate

*without Concealed Tank
WH172A & Push Plate



Please consult a TOTO representative for details